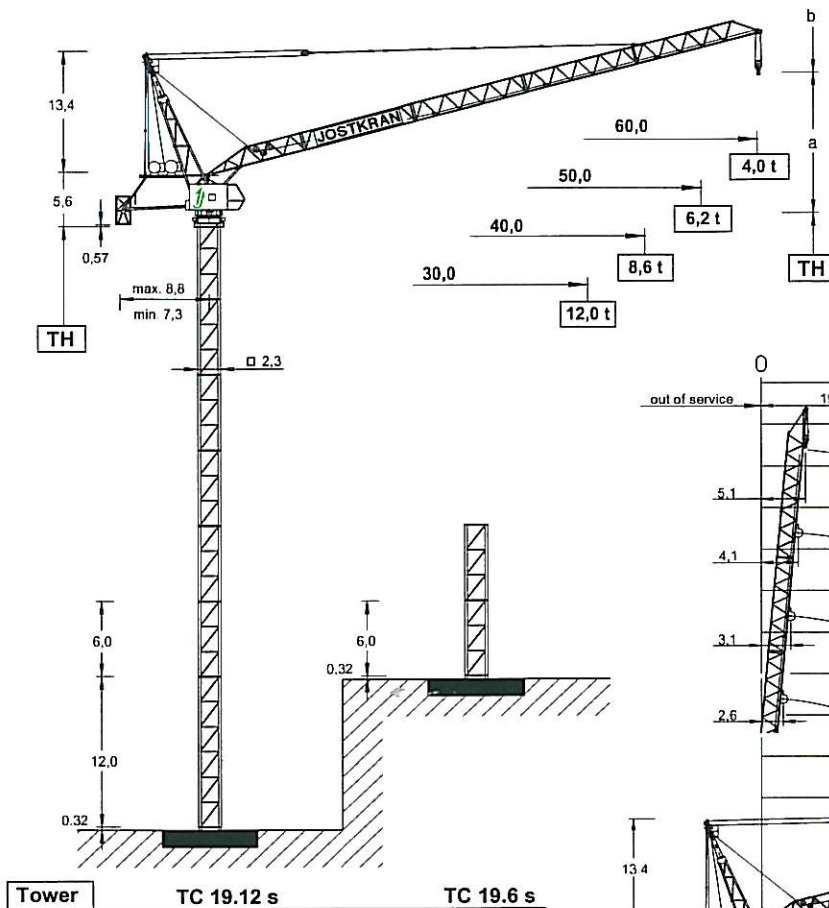


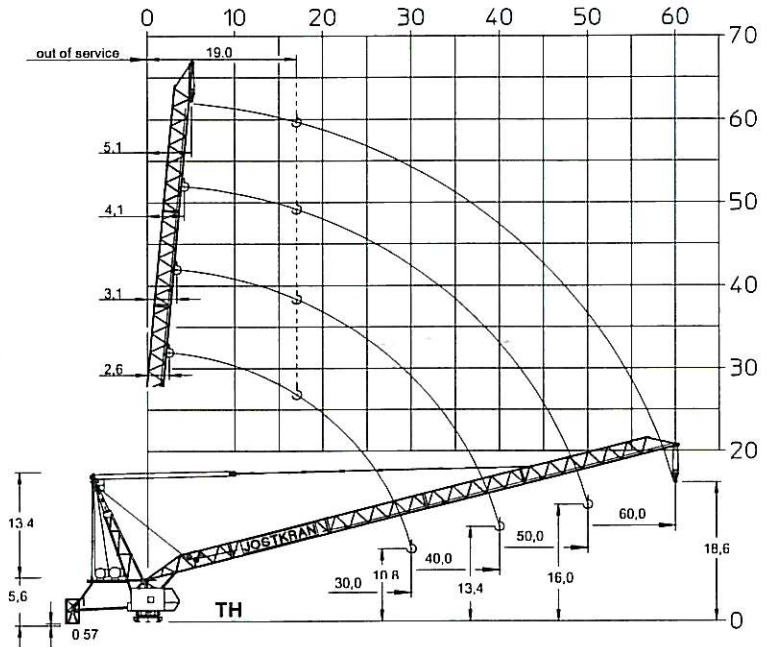
LUFFING CRANE

JL 316.16



Jib	a	b
60.0	18.6	43.2
50.0	16.0	35.5
40.0	13.4	27.8
30.0	10.8	20.2

All data in (m)



Jib length (m)	30	40	50	60
TH (m) TC 19.12 s	48.32	48.32	42.32	42.32
TH (m) TC 19.6 s	36.32	36.32	30.32	30.32

Radius & Capacity

Jib		max. Load		m x t										
m	rope	t	m	18	20	22	25	27	30	35	40	45	50	60
55	⊗	8.0	31.3	8.00	8.00	8.00	8.00	8.00	8.00	7.10	6.17	5.45	4.87	4.00
	⊕	-	-	-	-	-	-	-	-	-	-	-	-	-
50	⊗	8.0	39.0	8.00	8.00	8.00	8.00	8.00	8.00	8.00	7.82	6.92	6.20	-
	⊕	16.0	19.6	16.00	15.65	14.17	12.40	11.43	10.23	8.68	7.52	6.62	5.90	-
40	⊗	8.0	40.0	8.00	8.00	8.00	8.00	8.00	8.00	8.00	8.00	8.00	-	-
	⊕	16.0	22.2	16.00	16.00	16.00	14.12	13.02	11.66	9.91	8.60	-	-	-
30	⊗	8.0	30.0	8.00	8.00	8.00	8.00	8.00	8.00	-	-	-	-	-
	⊕	16.0	22.8	16.00	16.00	16.00	14.52	13.40	12.00	-	-	-	-	-

Motor	30,0 kW FI	2 x 4,4 kW	4 x 5,0 kW
t / v	2,50 min	0,67 min ⁻¹	25,0 m / min
Power requirement		Hoist 55 / 64 KW	125 KVA
Upper part		Hoist 90 KW	156 KVA

CE
FEM A3
DIN 15018 H1-B3
TÜV-CERT
DIN EN ISO 9001

Speeds 400 V - 50 Hz / 440 V - 60 Hz

		Hoist unit 55 / 64 kW Frequency inverter					
		Pmax 8,0 t - 16,0 t					
	Load [to]	1.8	2.4	4.2	5.4	6.6	8.0
	v [m/min]	102	90	66	54	44	36

	Load [to]	3.6	4.8	8.4	10.8	13.2	16.0
	v [m/min]	50	45	33	27	22	18
Drum capacity		500,0 m					

		Hoist unit 90 kW Frequency inverter					
		Pmax 8,0 t - 16,0 t					
	Load [to]	3.4	4.0	4.8	5.1	6.1	8.0
	v [m/min]	124	108	90	86	74	58

	Load [to]	6.8	8.0	9.6	10.2	12.2	16.0
	v [m/min]	62	54	45	43	37	29
Drum capacity		560,0 m					

Subjected to alterations

Edition 01.05



Garching Strasse 26
D - 80805 MÜNCHEN
Germany
FON : ++49 - 89 - 361 09 333
FAX : ++49 - 89 - 361 09 334
E-MAIL : jost.cranes@t-online.de



2a, rue Prince Henri
L-6735 Grevenmacher
Luxemburg
Tel. +352 / 26 74 54 80
Fax. +352 / 26 74 54 83